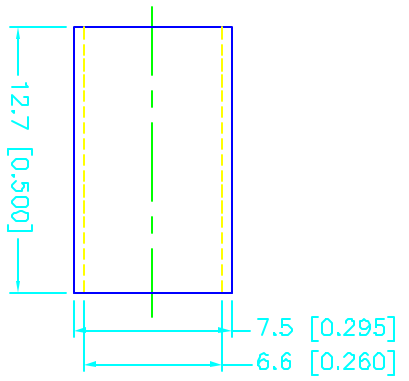
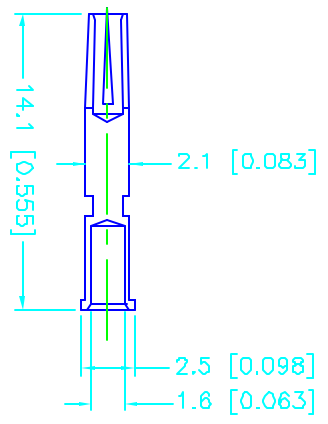
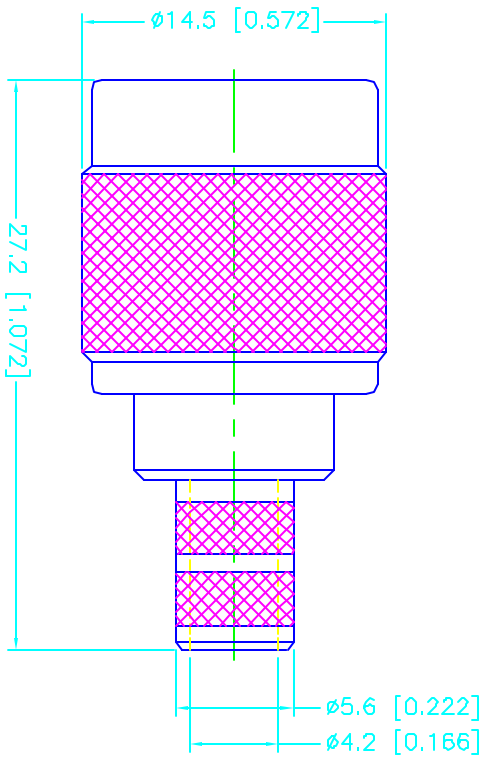
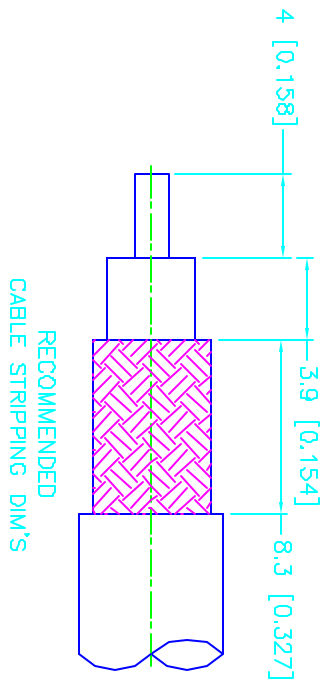


REV.	DATE	DESCRIPTION
NC	08/03/98	INITIAL RELEASE



DESCRIPTION	MATERIAL	FINISH	UNLESS OTHERWISE SPECIFIED DIMENSIONS IN [] ARE IN MILLIMETERS FOR CUSTOMER REFERENCE ONLY	APPROVALS	DATE	TITLE	SCALE	PART NO.	SHEET
1 BODY	BRASS	NICKEL	UNLESS OTHERWISE SPECIFIED TOLERANCES FOR MILLIMETERS ARE: 0.5-6 = ± 0.2 6-30 = ± 0.4 30-120 = ± 0.6 120-375 = ± 1 375-1000 = ± 1.6 1000-2000 = ± 2.4	DRAWN	08/03/98	Connector Corporation TNC CRIMP PLUG - REVERSE POLARITY (FOR BELDEN RG-8/X, TIMES LMR-240MA)	A	99001	122408-RP.DWG
2 INSULATOR	TEFLON	NATURAL		CHECKED					
3 CONTACT PIN	PHOS. BRONZE	NICKEL		ISSUED					
4 FERRULE	COPPER	NICKEL							
5									
6									
7									
8				DO NOT SCALE DRAWING					